



WA **WORK** WORKAREASAFETY.COM
AREA SAFETY
WWW.WORKAREASAFETY.COM

WORK AREA TRAFFIC CONES BLACK BASE SERIES

Designed with durability in mind, these cones can withstand both hot and cold weather conditions, ensuring they are ready to use in any environment. The black base provides a stable foundation, while the top grip makes handling and stacking easy.

Work Area Traffic Cones are engineered to meet the demands of even the busiest roads and construction sites. Their bright orange color makes them highly visible, making sure that drivers and workers stay safe in low light conditions. The cones are also lightweight and easy to move, so you can set up your work zone quickly and efficiently.

Work Area Traffic Cones, a line of cones that are durable, easy to use and built to last. Whether you're working on a construction site, directing traffic, or setting up a temporary work zone, Signs and Safety Work Area Traffic Cones are the ideal solution.



FEATURES

- Injection-molded for supreme durability
- New grip technology for easier handling
- Interior bands and wide base design reduce stacking issues
- Cold and hot temperature formulation provides superior winter and summer performance
- Superior fluorescent pigment gives unmatched fade resistance
- Base and conical sections interlocked and fused to provide integral design
- 16 lug base provides additional support and reduced cracking during run overs
- New base design increases friction to prevent skidding
- Wide base design for easy stacking
- Two-piece cone with polyvinyl chloride (PVC) body and interlocking rubber base
- Fade resistant, superior fluorescent pigment
- NCHRP 350/MASH compliant



**16 LUG
BASE**



**EASY
GRIP TOP**



Work Area Traffic Cones

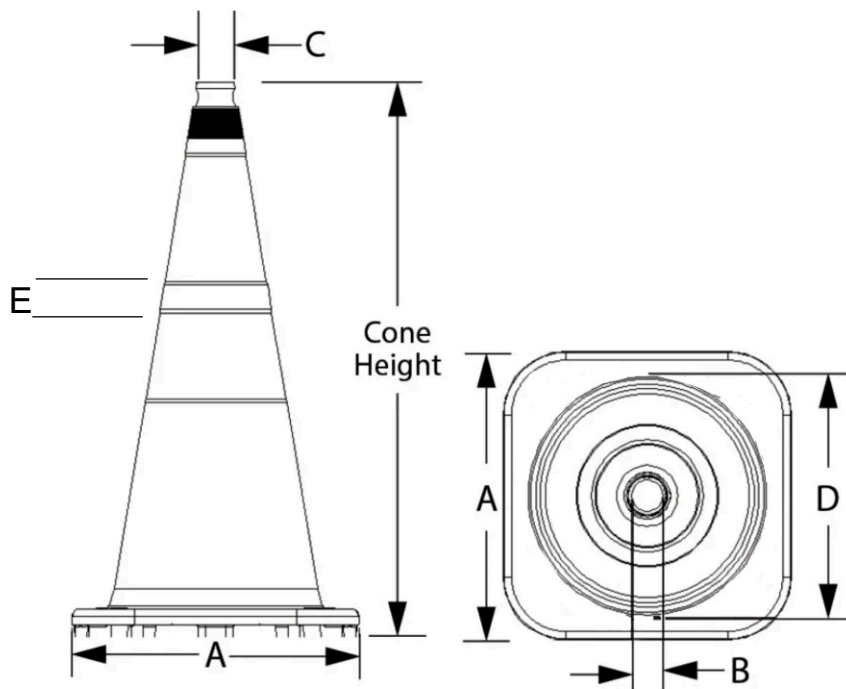
Introducing the latest technologically advanced and superior traffic cone - the work area traffic cone. Our cone is specially designed with new grip technology to prevent slippage during handling and features interior bands for quick release stacking. This cone boasts a fade-resistant finish and outperforms other cones with its cold and hot temperature formulation, making it perfect for any climate.

With a 16-lug base, the black base cone offers superior support and reduced base cracking during runner incidents. The unique base also improves friction, preventing skidding during placement.

Our black base cone creates a new class of traffic cones that are crash-proof and built to last. We prioritize your safety by delivering high-visibility, durable, and high-quality Work Area Traffic Cones.

WORK AREA TRAFFIC CONES

EMSS#	Collar	Height	Weight	Top Thickness	Bottom Thickness	A	B	C	D	E Sheeting Margin
	Collar	18"	3LB	0.09"	0.09"	10.5	1.57"	1.93"	8.10"	2"
TC2-28PO64	Collar	28"	7LB	0.12"	0.12"	14.51"	1.57"	1.89"	11.38"	2"
TC2-28POH64	Collar	28"	10LB	0.12"	0.12"	14.51"	1.57"	1.89"	11.38"	2"
TC2-36PO64	Collar	36"	10LB	0.13"	0.13"	14.75"	1.58"	1.99"	11.69"	2"
TC2-36POH64	Collar	36"	12LB	0.13"	0.13"	14.75"	1.58"	1.99"	11.69"	2"



WORK AREA TRAFFIC CONES

BLACK BASE SERIES 28"-7LB

Designed with durability in mind, these cones can withstand both hot and cold weather conditions, ensuring they are ready to use in any environment. The black base provides a stable foundation, while the top grip makes handling and stacking easy.



Work Area Traffic Cones are engineered to meet the demands of even the busiest roads and construction sites. Their bright orange color makes them highly visible, making sure that drivers and workers stay safe in low light conditions. The cones are also lightweight and easy to move, so you can set up your work zone quickly and efficiently.

Work Area Traffic Cones, a line of cones that are durable, easy to use and built to last.

Whether you're working on a construction site, directing traffic, or setting up a temporary work zone, Work Area Traffic Cones are the ideal solution.

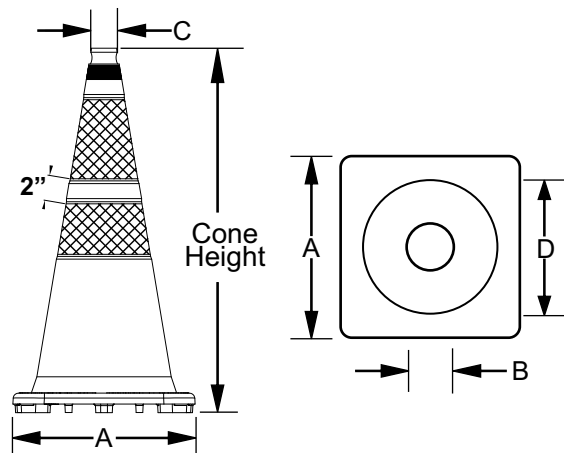
TC2-28P064

- Size:** 28"
- Weight:** 7lb
- Style:** Wide Body
- Sheeting:** 6" & 4"
- Sheeting Type:** 3M High Intensity Reflective Collars
- Body Color:** Fluorescent Orange
- Base Style:** Black Base

FEATURES

- Injection-molded for supreme durability
- New grip technology for easier handling
- Interior bands and wide base design reduce stacking issues
- Cold and hot temperature formulation provides superior winter and summer performance
- Superior Fluorescent Pigment gives unmatched fade resistance
- Base and conical sections interlocked and fused to provide integral design
- 16 lug base provides additional support and reduced cracking during run overs
- New base design increases friction to prevent skidding
- Wide base design for easy stacking
- Two-piece cone with polyvinyl chloride (PVC) body and interlocking rubber base
- Fade resistant, superior fluorescent pigment
- NCHRP 350/MASH compliant

A=Base Size:	14.51"
B=Top Hole Diameter:	1.57"
C=Top Cone Diameter:	1.89"
D=Base Cone Diameter:	11.38"
Top Thickness:	0.12"
Bottom Thickness:	0.12"
Cone Height:	28"
Cone Weight:	7LB



WORK AREA TRAFFIC CONES

BLACK BASE SERIES 28"-10LB

Designed with durability in mind, these cones can withstand both hot and cold weather conditions, ensuring they are ready to use in any environment. The black base provides a stable foundation, while the top grip makes handling and stacking easy.



Signs and Safety Work Area Traffic Cones are engineered to meet the demands of even the busiest roads and construction sites. Their bright orange color makes them highly visible, making sure that drivers and workers stay safe in low light conditions. The cones are also lightweight and easy to move, so you can set up your work zone quickly and efficiently.

Work Area Traffic Cones, a line of cones that are durable, easy to use and built to last.

Whether you're working on a construction site, directing traffic, or setting up a temporary work zone, Work Area Traffic Cones are the ideal solution.

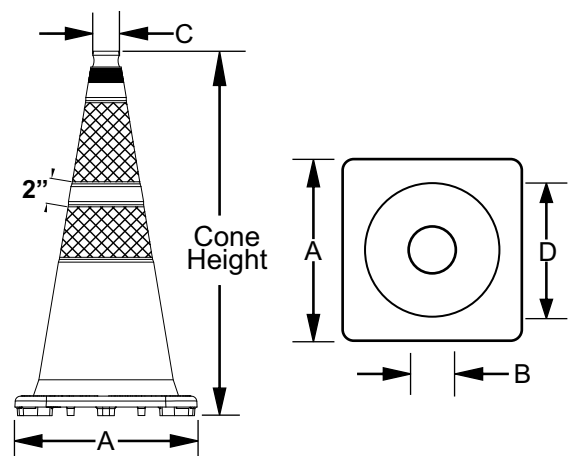
TC2-28P0H64

Size:	28"
Weight:	10lb
Style:	Wide Body
Sheeting:	6" & 4"
Sheeting Type:	3M High Intensity Reflective Collars
Body Color:	Fluorescent Orange
Base Style:	Black Base

FEATURES

- Injection-molded for supreme durability
- New grip technology for easier handling
- Interior bands and wide base design reduce stacking issues
- Cold and hot temperature formulation provides superior winter and summer performance
- Superior fluorescent pigment gives unmatched fade resistance
- Base and conical sections interlocked and fused to provide integral design
- 16 lug base provides additional support and reduced cracking during run overs
- New base design increases friction to prevent skidding
- Wide base design for easy stacking
- Two-piece cone with polyvinyl chloride (PVC) body and interlocking rubber base
- Fade resistant, superior fluorescent pigment
- NCHRP 350/MASH compliant

A=Base Size:	14.51"
B=Top Hole Diameter:	1.57"
C=Top Cone Diameter:	1.89"
D=Base Cone Diameter:	11.38"
Top Thickness:	0.12"
Bottom Thickness:	0.12"
Cone Height:	28"
Cone Weight:	10LB



WORK AREA TRAFFIC CONES

BLACK BASE SERIES 36"-10LB

Designed with durability in mind, these cones can withstand both hot and cold weather conditions, ensuring they are ready to use in any environment. The black base provides a stable foundation, while the top grip makes handling and stacking easy.



Work Area Traffic Cones are engineered to meet the demands of even the busiest roads and construction sites. Their bright orange color makes them highly visible, making sure that drivers and workers stay safe in low light conditions. The cones are also lightweight and easy to move, so you can set up your work zone quickly and efficiently.

Work Area Traffic Cones, a line of cones that are durable, easy to use and built to last.

Whether you're working on a construction site, directing traffic, or setting up a temporary work zone, Work Area Traffic Cones are the ideal solution.

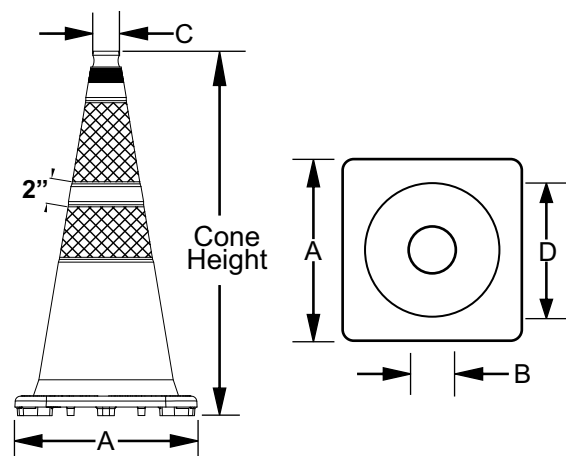
TC2-36P064

Size:	36"
Weight:	10lb
Style:	Wide Body
Sheeting:	6" & 4"
Sheeting Type:	3M High Intensity Reflective Collars
Body Color:	Fluorescent Orange
Base Style:	Black Base

FEATURES

- Injection-molded for supreme durability
- New grip technology for easier handling
- Interior bands and wide base design reduce stacking issues
- Cold and hot temperature formulation provides superior winter and summer performance
- Superior fluorescent pigment gives unmatched fade resistance
- Base and conical sections interlocked and fused to provide integral design
- 16 lug base provides additional support and reduced cracking during run overs
- New base design increases friction to prevent skidding
- Wide base design for easy stacking
- Two-piece cone with polyvinyl chloride (PVC) body and interlocking rubber base
- Fade resistant, superior fluorescent pigment
- NCHRP 350/MASH compliant

A=Base Size:	14.75"
B=Top Hole Diameter:	1.58"
C=Top Cone Diameter:	1.99"
D=Base Cone Diameter:	11.69"
Top Thickness:	0.13"
Bottom Thickness:	0.13"
Cone Height:	36"
Cone Weight:	10LB



WORK AREA TRAFFIC CONES

BLACK BASE SERIES 36"-12LB

Designed with durability in mind, these cones can withstand both hot and cold weather conditions, ensuring they are ready to use in any environment. The black base provides a stable foundation, while the top grip makes handling and stacking easy.



Work Area Traffic Cones are engineered to meet the demands of even the busiest roads and construction sites. Their bright orange color makes them highly visible, making sure that drivers and workers stay safe in low light conditions. The cones are also lightweight and easy to move, so you can set up your work zone quickly and efficiently.

Work Area Traffic Cones, a line of cones that are durable, easy to use and built to last.

Whether you're working on a construction site, directing traffic, or setting up a temporary work zone, Work Area Traffic Cones are the ideal solution.

TC2-36P0H64

Size:	36"
Weight:	12lb
Style:	Wide Body
Sheeting:	6" & 4"
Sheeting Type:	3M High Intensity Reflective Recessed Collars
Body Color:	Fluorescent Orange
Base Style:	Black Base

FEATURES

- Injection-molded for supreme durability
- New grip technology for easier handling
- Interior bands and wide base design reduce stacking issues
- Cold and hot temperature formulation provides superior winter and summer performance
- Superior fluorescent pigment gives unmatched fade resistance
- Base and conical sections interlocked and fused to provide integral design
- 16 lug base provides additional support and reduced cracking during run overs
- New base design increases friction to prevent skidding
- Wide base design for easy stacking
- Two-piece cone with polyvinyl chloride (PVC) body and interlocking rubber base
- Fade resistant, superior fluorescent pigment
- NCHRP 350/MASH compliant

A=Base Size:	14.75"
B=Top Hole Diameter:	1.58"
C=Top Cone Diameter:	1.99"
D=Base Cone Diameter:	11.69"
Top Thickness:	0.13"
Bottom Thickness:	0.13"
Cone Height:	36"
Cone Weight:	12LB

